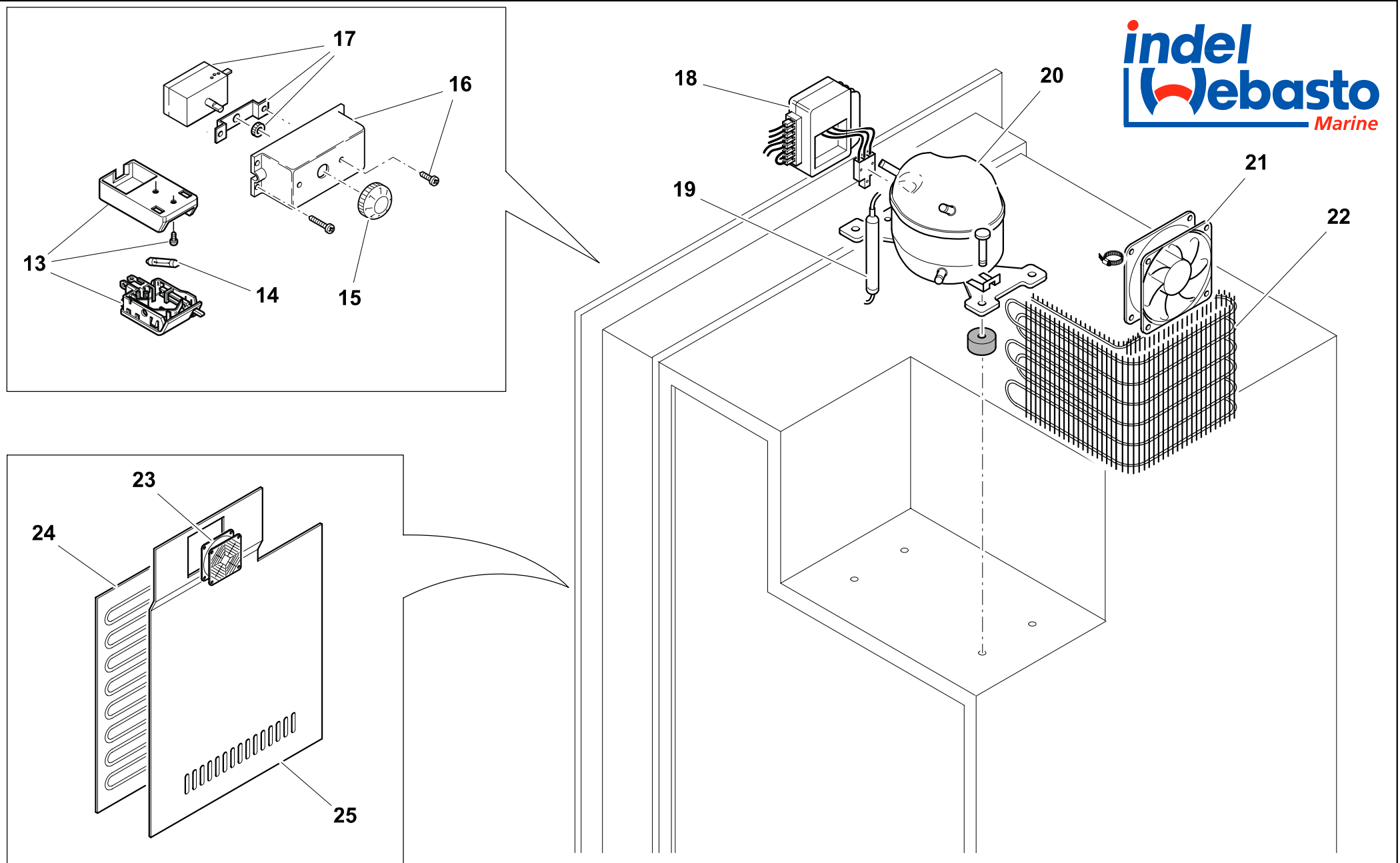


CR 130 DRINK INOX - CABINET



CR 130 DRINK INOX - COOLING UNIT

NUMERO NUMBER	CODICE ARTICOLO ITEM CODE	DESCRIZIONE ARTICOLO ITEM DESCRIPTION
1		
2	SBE00068AA	CERNIERA INOX CR130/195 E TUTTI CR VER. INOX HINGE INOX FOR CR130/195 AND ALL VER. INOX TYPE
3	SGB00072AA	FLANGIA FM 3-LATI CR130/90 FR. MODELLO INOX 3-SIDE FLUSH MOUNTING FRAME FOR CR130/90 FREEZER INOX VER.
4		
5	SGD00012AA	MANIGLIA INOX "CRUISE INOX" INOX HANDLE/LOCKER FOR "CRUISE INOX"
6	SGC00125AA	FILONCINO PER BALCONCINO PORTA METAL RETAINER CR130
7	SGC00038AA	GRIGLIA CENTRALE INTERNAL SHELF FOR CR130/CR195
8	SGC00130AA	PORTA INOX CR130 INOX DOOR CR130
8	SGC00113AA	PORTA INOX CR130 SX COMPLETA INOX DOOR CR130 LEFT HINGE
9	SGC00137AA	BALCONCINO CONTROPORTA RETAINER CR130
10	SGC00047AB	RIPIANO IN VETRO GLASS SHELF CR130 SET 2pz
11	SGC00068AA	CASSETTO PORTAVERDURE CR130 VEGETABLE BIN CR130
12		
13	SEC00003DA	PLAFONIERA LUCE INTERNA COMPLETA INTERNAL LIGHT KIT 12-24V
14	SEC00007BA	LAMPADINA LUCE INTERNA 12V LIGHT BULB 12V-3W G114
14	SEC00005CA	LAMPADINA LUCE INTERNA 24V LIGHT BULB 24V-3W G115
15		
16		
17	SEA00091DA	TERMOSTATO CR130DRINK THERMOSTAT CR130DRINK
18	SEG00002DA	CENTRALINA DANFOSS BD35/50F 12/24V ELECTRICAL UNIT DANF. 101N0210 BD35/50F 12/24V
18	SEG00030GA	CENTRALINA DANFOSS BD35/50F AC/DC 12/24V DC 110/220V AC ELECT. UNIT DANFOSS BD35F/50FAC/DC 12/24V-115/230V
19	SBD00073AA	FILTRO 10g PER CR FILTER 10Gr FOR R134a B041 TUBE 6+2mm (CRUISE/DANFOSS)
20	SBA00002DA	COMPRESSORE DANFOSS BD35F DANFOSS COMPRESSOR BD35F 12/24V NO ELECTRICAL UNIT
21	SBG00005BA	VENTOLA CABLATA 12V LOW SPEED FAN 12V LOW SPEED FOR COMPACT AND CRUISE
22	SBD00028AA	CONDENSATORE A FILO AIR CONDENSER PIN TYPE WITH BRACKET
23	SBG00016BA	VENTOLA 12V 92x92 CR130 DRINK INNER FAN 12V CR130 DRINK
24		
25		