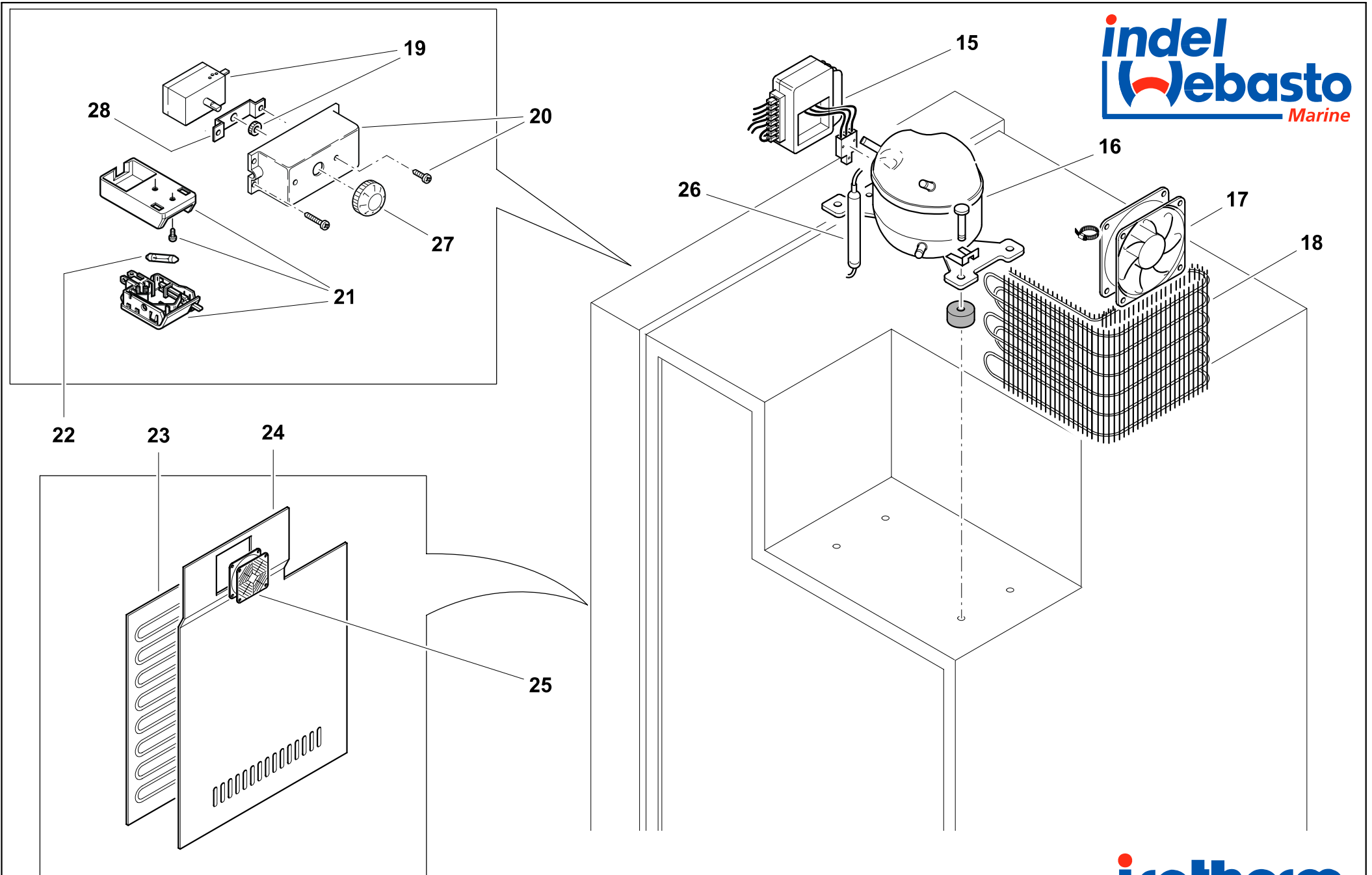


CR 130 DRINK - CABINET



CR 130 DRINK - COOLING UNIT

| NUMERO NUMBER | CODICE ARTICOLO ITEM CODE | DESCRIZIONE ARTICOLO ITEM DESCRIPTION |
|------------------|------------------------------|---|
| 1 | | |
| 2 | SBE00068AA | CERNIERA INOX CR65/90/130/195/200 E TUTTI CR VER. INOX HINGE INOX FOR CR65/90/130/195/200 AND ALL VER. INOX TYPE REF. F188 |
| 3 | SGB00044AA | TOP NUOVO INCERNIERAMENTO TOP FOR CR130 |
| 4 | | |
| 5 | SGC00125AA | FILONCINO PER BALCONCINO PORTA METAL RETEINER CR130 |
| 6 | SGC00038AA | GRIGLIA INTERNA CR130/CR195 F151 INTERNAL SHELF FOR CR130/CR195 F151 |
| 7 | SGC00047AB | RIPIANO IN VETRO GLASS SHELF CR130 SET 2pz |
| 8 | SGC00068AA | CASSETTO PORTAVERDURE CR130 VEGETABLE BIN CR130 |
| 9 | SGC00039AA | PORTA CR130 COMPLETE DOOR FOR CR130 F124 |
| 10 | SGC00063AA | PROFILO FISSAGGIO PANNELLO PORTA PROFILE FOR FIXING PANEL CR120/130 F055 |
| 11 | SGA00059AA | PANNELLO PORTA CR130 STANDARD DOOR PANEL CR130 MASONITE GREY 504x716X2.2mm |
| 12 | SGD00008AA | KIT MANIGLIA DOOR KIT HANDLE CRUISE TP39212 |
| 13 | SDF00010AA | PIEDINO GOMMA CRUISE/TB26 E073 RUBBER FOOT CRUISE/TB26 E073 |
| 14 | | |
| 15 | SEG00002DA | CENTRALINA DANFOSS BD35/50F 12/24V ELECTRICAL UNIT DANF. 101N0210 BD35/50F 12/24V TP39310 |
| 15 | SEG00030GA | CENTRALINA DANFOSS BD35/50F AC/DC 12/24V DC 110/220V AC ELECT. UNIT DANFOSS BD35F/50FAC/DC 12/24V-115/230V |
| 16 | SBA00002DA | COMPRESSORE DANFOSS BD35F DANFOSS COMPRESSOR BD35F 12/24V NO ELECTRICAL UNIT TP39301 |
| 17 | SBG00005BA | VENTOLA CABLATA 12V LOW SPEED FAN 12V LOW SPEED FOR COMPACT AND CRUISE TP39236 |
| 18 | SBD00028AA | CONDENSATORE A FILO AIR CONDENSER PIN TYPE WITH BRACKET (G251+G267) TP29014 |
| 19 | SEA00091DA | TERMOSTATO CR130DRINK THERMOSTAT CR130DRINK |
| 20 | | |
| 21 | SEC00003DA | PLAFONIERA LUCE INTERNA COMPLETA INTERNAL LIGHT KIT 12-24V TP10014 |
| 22 | SEC00007BA | LAMPADINA LUCE INTERNA 12V LIGHT BULB 12V-3W G114 |
| 22 | SEC00005CA | LAMPADINA LUCE INTERNA 24V LIGHT BULB 24V-3W G115 |
| 23 | | |
| 24 | | |
| 25 | SBG00016BA | VENTOLA 12V 92x92 CR130 DRINK 2.6.482.2/0 INNER FAN 12V CR130 DRINK 2.6.482.2/0 |
| 26 | SBD00073AA | FILTRO 10g PER CR FILTER 10Gr FOR R134a B041 TUBE 6+2mm (CRUISE/DANFOSS) |