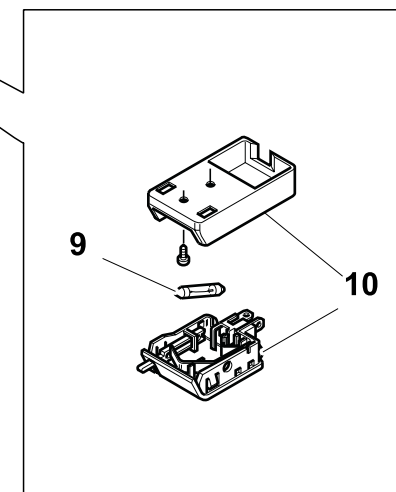
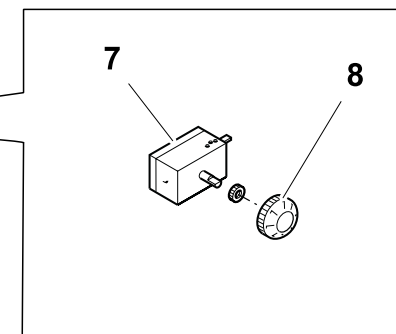
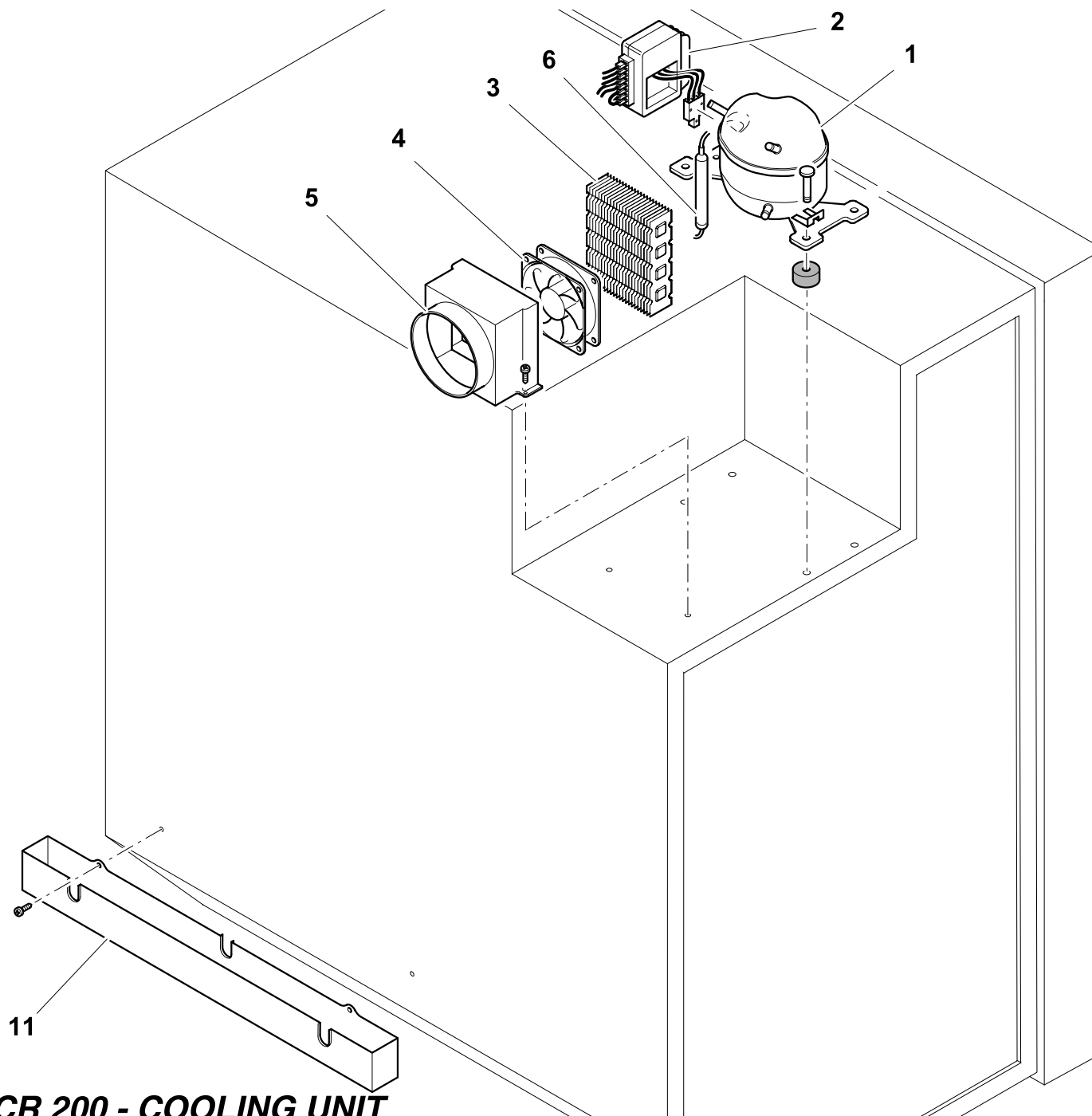


**CR 200 - CABINET**



**CR 200 - COOLING UNIT**

<b>NUMERO</b> <b>NUMBER</b>	<b>CODICE ARTICOLO</b> <b>ITEM CODE</b>	<b>DESCRIZIONE ARTICOLO</b> <b>ITEM DESCRIPTION</b>
1	SBA00004DA	COMPRESSORE BD50F SENZA CENTRALINA DANFOSS COMPRESSOR BD50F NO ELECTRICAL UNIT
2	SEG00037DA	CENTRALINA DANFOSS B50F/BD80F HIGH START 12/24V CR200 ELECT. UNIT DANFOSS BD50F/BD80F HIGH START 12/24V CR200
2	SEG00030GA	CENTRALINA DANFOSS BD35/50F AC/DC 12/24V DC 110/220V AC ELECT. UNIT DANFOSS BD35F/50FAC/DC 12/24V-115/230V
3		
4	SBG00005BA	VENTOLA CABLATA 12V LOW SPEED FAN 12V LOW SPEED FOR COMPACT AND CRUISE
5	SBE00110AA	CONVOGLIATORE CR200-FF PLASTIC AIR CONVEYER FOR CR200-FF
6	SBD00073AA	FILTRO 10g PER CR FILTER 10Gr FOR R134a B041 TUBE 6+2mm (CRUISE/DANFOSS)
7		
8		
9	SEC00007BA	LAMPADINA LUCE INTERNA 12V LIGHT BULB 12V-3W
9	SEC00005CA	LAMPADINA LUCE INTERNA 24V LIGHT BULB 24V-3W
10	SEC00003DA	PLAFONIERA LUCE INTERNA COMPLETA INTERNAL LIGHT KIT 12-24V
11	SGC00209AA	SGOCCIOLATOIO POSTERIORE PLASTICA BIANCA POSTERIORE CR130D/CR195/CR200 WHITE PLASTIC DRIP REAR TRAY CR130D/CR195/CR200
12	SBE00068AA	CERNIERA INOX CR65/90/130/195/200 E TUTTI CR VER. INOX HINGE INOX FOR CR65/90/130/195/200 AND ALL VER. INOX TYPE REF. F188
13		
14		
15		
16	SGC00441AA	CASSETTO PLASTICA VANO FREEZER CR200 PLASTIC DRAWER FREEZER SIDE CR200
17	SGC00442AA	CASSETTO PLASTICA VANO FRIGO SINISTRA CR200 PLASTIC DRAWER FRIDGE SIDE LEFT CR200
18		
19		
20		
21		
22		
23		
24	SGD00008AA	KIT MANIGLIA CRUISE F005 TP39212 DOOR KIT HANDLE CRUISE TP39212
25		
26		
27		
28		
29		
30		
31		
32	SGC00443AA	CASSETTO PLASTICA VANO FRIGO DESTRA CR200 PLASTIC DRAWER FRIDGE SIDE RIGHT CR200