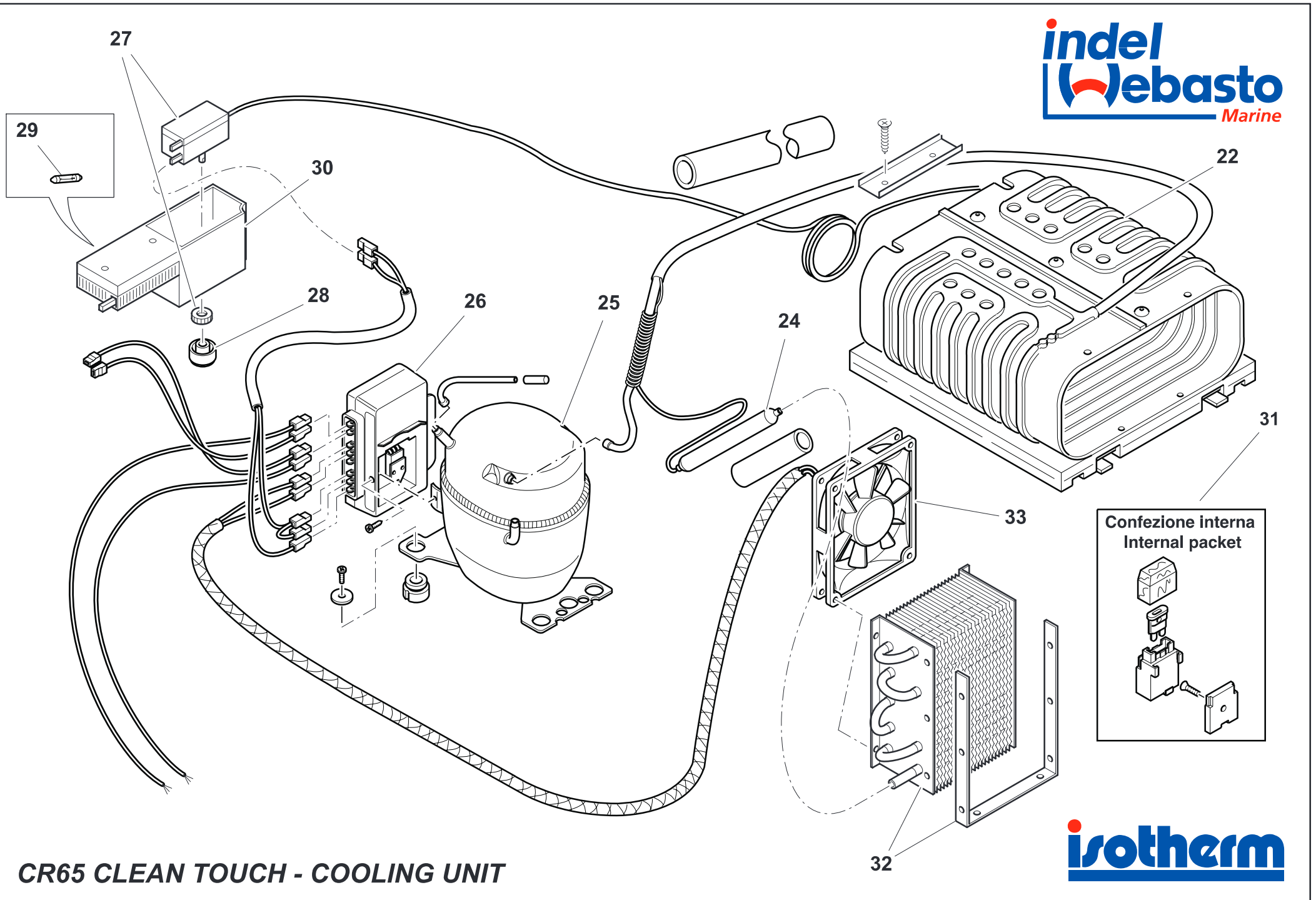


CR 65 CLEAN TOUCH - CABINET



CR65 CLEAN TOUCH - COOLING UNIT

RICAMBI CR65 CLEAN TOUCH SPARE PARTS CR65 CLEAN TOUCH

| NUMERO NUMBER | COD. ARTICOLO ITEM CODE | DESCRIZIONE ARTICOLO ITEM DESCRIPTION |
|------------------|----------------------------|--|
| 1 | SDF00086AB | GOMMINO ANTIURTO PER FLANGIA INOX CONFEZIONE 6PZ RUBBER BUMPER FOR INOX FRAME 6PCS |
| 2 | SBE00194AB | CERNIERA SUPERIORE CR ELEGANCE UPPER HINGE CR ELEGANCE |
| 3 | SBE00196AA | STAFFA SOSTEGNO PORTA PLASTICA NERA CR ELEGANCE SUPPORT BRACKET DOOR CR ELEGANCE |
| 4 | SGC00226AA | GRIGLIA INTERNA CRUISE 65 INTERNAL SHELF CRUISE 65 |
| 5 | SGC00365AA | COPERTURA EVAPORATORE PLASTICA BIANCA CR49/CR65 ELEGANCE PLASTIC COVER FOR EVAPORATOR CR49/CR65 ELEGANCE |
| 6 | SGC00294AA | PORTINA EVAPORATORE CRUISE CR49/CR65/CR85/CR130 C. & ELEGANCE EVAPORATOR DOOR CRUISE CR49/CR65/CR85/CR130 C. EL. |
| 7 | SGC00366AA | SGOCCIOLATOIO EVAPORATORE CR49/CR65 ELEGANCE DRIP TRAY FOR CR49/CR65 CHINA |
| 8 | SGC00022AA | CUBETTIERA CRUISE ICE CUBE CRUISE |
| 9 | SGB00191AA | FLANGIA 3 LATI FLUSH MOUNTING INOX CR65 CLEAN TOUCH FRAME 3-SIDE FLUSH MOUNTING INOX CR65 CLEAN TOUCH |
| 10 | SGC00449AA | PORTA INOX CLEAN TOUCH COMPLETA DI ACCESSORI PER CR65 COMPLETE INOX CLEAN-TOUCH DOOR FOR CR65 |
| 11 | SGC00228AA | BALCONCINO PORTA CRUISE 65 C. RETAINER CRUISE 65 C. |
| 13 | SBE00195AB | CERNIERA INFERIORE CR ELEGANCE LOWER HINGE CR ELEGANCE |
| 16 | SGD00043AA | KIT MANIGLIA BRIGHT SILVER COMPLETA DI MOLLE E PERNI PER CR49/65/85/130 ELEGANCE HANDLE BRIGHT SILVER COMPLETE KIT WITH SPRINGS AND PIVOT CR49/65/85/130 ELEGANCE |
| 17 | SBE00211AA | STAFFA AGGANCIO TOP INOX CR ELEGANCE INOX SUPPORT BRACKET FOR TOP CR ELEGANCE |
| 22 | SBF00109AA | EVAPORATORE CR49/CR65 ELEGANCE EVAPORATOR CR49/CR65 ELEGANCE |
| 24 | SBD00026AA | FILTRO 10GR 2V XH7 PARA R134A Ø19mm foro in-out 5,0-5,1 FILTER FOR 2V XH7 FOR R134A Ø19mm in-out 5,0-5,1 |
| 25 | SBA00002DA | COMPRESSORE BD35F SENZA CENTRALINA DANFOSS COMPRESSOR BD35F 12/24V NO ELECTRICAL UNIT TP39301 |
| 26 | SEG00002DA | CENTRALINA DANFOSS 101N0210 BD35/50F 12/24V ELECTRICAL UNIT DANF. 101N0210 BD35/50F 12/24V |
| 26 | SEG00030GA | CENTRALINA DANFOSS B35F/BD50F AC/DC 12/24V-115/230V ELECT. UNIT DANFOSS BD35F/50FAC/DC 12/24V-115/230V |
| 27 | SEA00092DA | TERMOSTATO CRUISE 49/65/85/130 C. THERMOSTAT CRUISE 49/65/85/130 C. |
| 28 | SEA00093AA | MANOPOLA TERMOSTATO CRUISE 49/65/85/130 C. THERMOSTAT KNOB CRUISE 49/65/85/130 C. |
| 29 | SEC00038AA | LAMPADINA LED CR49/65/85/130 ELEGANCE LED LAMP CR49/64/85/130 ELEGANCE |
| 30 | SEA00094AA | SCATOLA TERMOSTATO CRUISE 49/65/85/130 C. THERMOSTAT BOX CRUISE 49/65/85/130 C. |
| 31 | SEB00039AA | KIT PORTA-FUSIBILE 15A FUZE-KIT 15A |
| 32 | SBD00104AA | CONDENSATORE CRUISE 49/65 C. CRUISE 49/65 CONDENSER C. |
| 33 | SBG00037DA | VENTOLA 9x9 CR49/CR65 ELEGANCE FAN 9x9 CR49/CR65 ELEGANCE |

ERSATZTEILE CR65 CLEAN TOUCH PIECES DETACHEES CR65 CLEAN TOUCH

| NUMMER NUMERO | ARTIKELNUMMER REF. ARTICLE | ARTIKEL BESCHREIBUNG DESCRIPTION ARTICLE |
|------------------|-------------------------------|---|
| 1 | SDF00086AB | BUMPER GUMMI FÜR INOX RAHMEN 6 STÜCK PROTECTION CAOUTCHOUC CADRE INOX 6 PCES |
| 2 | SBE00194AB | OBERE SCHARNIERE CHARNIERE SUPERIEURE CR ELEGANCE |
| 3 | SBE00196AA | HALTERUNG FÜR TÜR CR ELEGANCE SUPPORT INFERIEUR PORTE CR ELEGANCE |
| 4 | SGC00226AA | EINLEGE GITTER CRUISE 65 C. CLAYETTE INTERIEURE CR465C. |
| 5 | SGC00365AA | KUNSTSTOFFABDECKUNG FÜR VERDAMPFER CR49/CR65 ELEGANCE PROTECTION PLASTIQUE EVAPORATEUR CR49/CR65 ELEGANCE |
| 6 | SGC00294AA | KLAPPE VOM GEFRIERFACH CR49/65/85/130 C. EL. PORTE EVAPORATEUR CRUISE CR49/CR65/CR85/CR130 C. EL |
| 7 | SGC00366AA | AUFANGSCHALE FÜR GEFRIERFACH CR49/CR65 C. BAC DE RECUPERATION POUR CR49/CR65 CHINE |
| 8 | SGC00022AA | EISWÜRFEL KIT CRUISE BAC A GLACONS CRUISE |
| 9 | SGB00191AA | 3 SEITIGE RAHMEN FLUSH MOUNTING INOX CR65CLEAN TOUCH CADRE D'ENCASTREMENT 3COTES FLUSH MOUNTING CR65 CLEAN TOUCH |
| 10 | SGC00449AA | KOMPLETTE TÜR CR65 CLEAN TOUCH PORTE COMPLETE CR65 CLEAN TOUCH |
| 11 | SGC00228AA | GROSSER HALTER CRUISE 65 C. PORTE BOUTEILLES BAS CRUISE 65 C. |
| 13 | SBE00195AB | UNTERE SCHARNIERE CR ELEGANCE CHARNIERE INFERIEURE CR ELEGANCE |
| 16 | SGD00043AA | HEBELPANEL HELL SILBER KOMPLETER SATZ mit FEDER U. DREHPUNKT CR49/65/85/130 ELEGANCE KIT COMPLET POIGNEE PORTE CR49/65/85/130 ELEGANCE |
| 17 | SBE00211AA | EDELSTAHL HALTEBÜGEL FÜR TOP CR ELEGANCE SUPPORT INOX TOP CR ELEGANCE |
| 22 | SBF00109AA | VERDAMPFER CR49/CR65 ELEGANCE EVAPORATEUR CR49/CR65 ELEGANCE |
| 24 | SBD00026AA | FILTER FÜR R134a 2V XH7 R134A Ø19mm in-out 5,0-5,1 FILTRE 2V XH7 PER POUR R134A Ø19mm in-out 5,0-5,1 |
| 25 | SBA00002DA | SECOP KOMPRESSOR BD35F 12/24V OHNE STEUERGERÄT COMPRESSEUR SECOP BD35F 12/24V SANS BOITIER ELECTRONIQUE |
| 26 | SEG00002DA | STEUERGERÄT SECOP 101N0210 BD35/50F 12/24V BOITIER ELECTRONIQUE SECOP 101N0210 BD35/50F 12/24V |
| 26 | SEG00030GA | STEUERGERÄT SECOP BD35F/50FAC/DC 12/24V-115/230V BOITIER ELECTRONIQUE SECOP BD35F/50FAC/DC 12/24V-115/230V |
| 27 | SEA00092DA | THERMOSTAT CRUISE 49/65/85/130 C. THERMOSTAT CRUISE 49/65/85/130 C. |
| 28 | SEA00093AA | THERMOSTAT KNOPF CRUISE 49/65/85/130 C. BOUTON THERMOSTAT CRUISE 49/65/85/130 C. |
| 29 | SEC00038AA | LED LEUCHTMITTEL CR49/64/85/130 ELEGANCE AMPOULE LED CR49/64/85/130 ELEGANCE |
| 30 | SEA00094AA | BOX FÜR THERMOSTAT CRUISE 49/65/85/130 C. BOITIER THERMOSTAT CRUISE 49/65/85/130 C. |
| 31 | SEB00039AA | KIT SICHERUNG 15A KIT FUSIBLE 15A |
| 32 | SBD00104AA | CRUISE 49/65 C. KONDENSER CONDENSEUR CRUISE 49/65 C. |
| 33 | SBG00037DA | GEBLÄSE 9X9 CR49/CR65 ELEGANCE VENTILATEUR 9x9 CR49/CR65 ELEGANCE |

PIEZAS DE REPUESTO CR65 CLEAN TOUCH RESERVDLAR CR65 CLEAN TOUCH

| NÚMERO NUMBER | NÚMERO ARTICULO ARTIKELNUMMER | DESCRIPCIÓN DE LA PARTE ARTIKELBESKRIVNING |
|------------------|----------------------------------|--|
| 1 | SDF00086AB | PROTECCION DE GOMA PARA MARCO INOX 6 UDS GUMMIPROPP FÖR ROSTFRI STÅLRAM 6-PACK |
| 2 | SBE00194AB | BISAGRA SUPERIOR CR ELEGANCE ÖVRE GÅNGJÄRN CR ELEGANCE |
| 3 | SBE00196AA | SOPORTE DE PLASTICO NEGRO DE PUERTA CR ELEGANCE DÖRRSTÖD I SVART PLAST CR ELEGANCE |
| 4 | SGC00226AA | REJILLA INTERIOR CR65 INRE HYLLA CR65 |
| 5 | SGC00365AA | TAPA DE PLASTICO BLANCA PARA EVAPORADOR CR49/CR65 ELEGANCE PLASTHÖLJE FÖRÅNGARE CR49/65 EL |
| 6 | SGC00294AA | PUERTA EVAPORADOR CRUISE CR49/CR65/CR85/CR130 C.&ELEGANCE DÖRR FÖRÅNGARE CR49/CR65/CR85/CR130 C. & EL |
| 7 | SGC00366AA | DEPOSITO ANTI GOTEIO PARA CR49/CR65 C. DROP-FAT FÖRÅNGARE CR49/65 EL |
| 8 | SGC00022AA | CUBITERA CRUISE ISBIT KIT CRUISE |
| 9 | SGB00191AA | MARCO 3 LADOS INOX FLUSH MOUNTING CR65 CLEAN TOUCH 3 SIDOR RAM INOX FLUSH MOUNTING CR65 CLEAN TOUCH |
| 10 | SGC00449AA | PUERTA COMPLETA DE ACCESORIOS CR65 CLEAN TOUCH DÖRR CR65 CLEAN TOUCH KOMPLETT |
| 11 | SGC00228AA | BOTELLERO CRUISE 65 C. HYLLA DÖRR CR65 C. |
| 13 | SBE00195AB | BISAGRA INFERIOR CR ELEGANCE NEDRE GÅNGJÄRN CR ELEGANCE |
| 16 | SGD00043AA | KIT COMPLETO TIRADOR PUERTA BRIGHT SILVER CR49/65/85/130 ELEGANCE KIT HANDTAG SILVER KOMPLETT MED FJADER OCH CYLINDER CR ELEGANCE |
| 17 | SBE00211AA | BASE DE INOX ENGANCHE SUPERIOR CR ELEGANCE FÄSTE I ROSTFRITT STÅL FÖR TOP CR ELEGANCE |
| 22 | SBF00109AA | EVAPORADOR CR49/CR65 ELEGANCE FÖRÅNGARE CR49/65 ELEGANCE |
| 24 | SBD00026AA | FILTRO 10GR 2V XH7 PARA R134A Ø19mm foro in-out 5,0-5,1 FILTER FÖR 2V XH7 FÖR R134A Ø19mm in-out 5,0-5,1 |
| 25 | SBA00002DA | COMPRESOR SECOP BD35F 12/24V SIN CAJA ELECTRONICA KOMPRESSOR SECOP BD35F 12/24V UTAN ELDEL |
| 26 | SEG00002DA | CAJA ELECTRONICA DANFOSS/SECOP 101N210 BD35/50F 12/24V ELDEL SECOP 101N0210 BD35/50F 12/24V |
| 26 | SEG00030GA | CAJA ELECTRONICA DANFOSS/SECOP BD35F/50FAC/DC 12/24V-115/230V ELDEL SECOP B35F/BD50F AC/DC 12/24V-115/230V |
| 27 | SEA00092DA | TERMOSTATO CRUISE 49/65/85/130 C. THERMOSTAT CRUISE 49/65/85/130 C. |
| 28 | SEA00093AA | RUEDA REGUL. THERMOSTATO CRUISE 49/65/85/130 DR 49/55/65 C. THERMOSTAT-VRED CRUISE 49/65/85/130 DR49/55/66 |
| 29 | SEC00038AA | LUZ LED CR49/64/85/130 ELEGANCE LED LAMPA CR49/64/85/130 ELEGANCE |
| 30 | SEA00094AA | CAJA THERMOSTATO CRUISE 49/65/85/130 C. THERMOSTATDOSA CRUISE 49/65/85/130 C. |
| 31 | SEB00039AA | KIT PORTAFUSIBLES 15A SÅKRINGS-KIT 15A |
| 32 | SBD00104AA | CONDENSADOR CRUISE 49/65 C KONDENSOR CR49/65 C. |
| 33 | SBG00037DA | VENTILADOR 9X9 CR49/CR65 ELEGANCE FLÄKT 9x9 CR49/CR65 ELEGANCE |