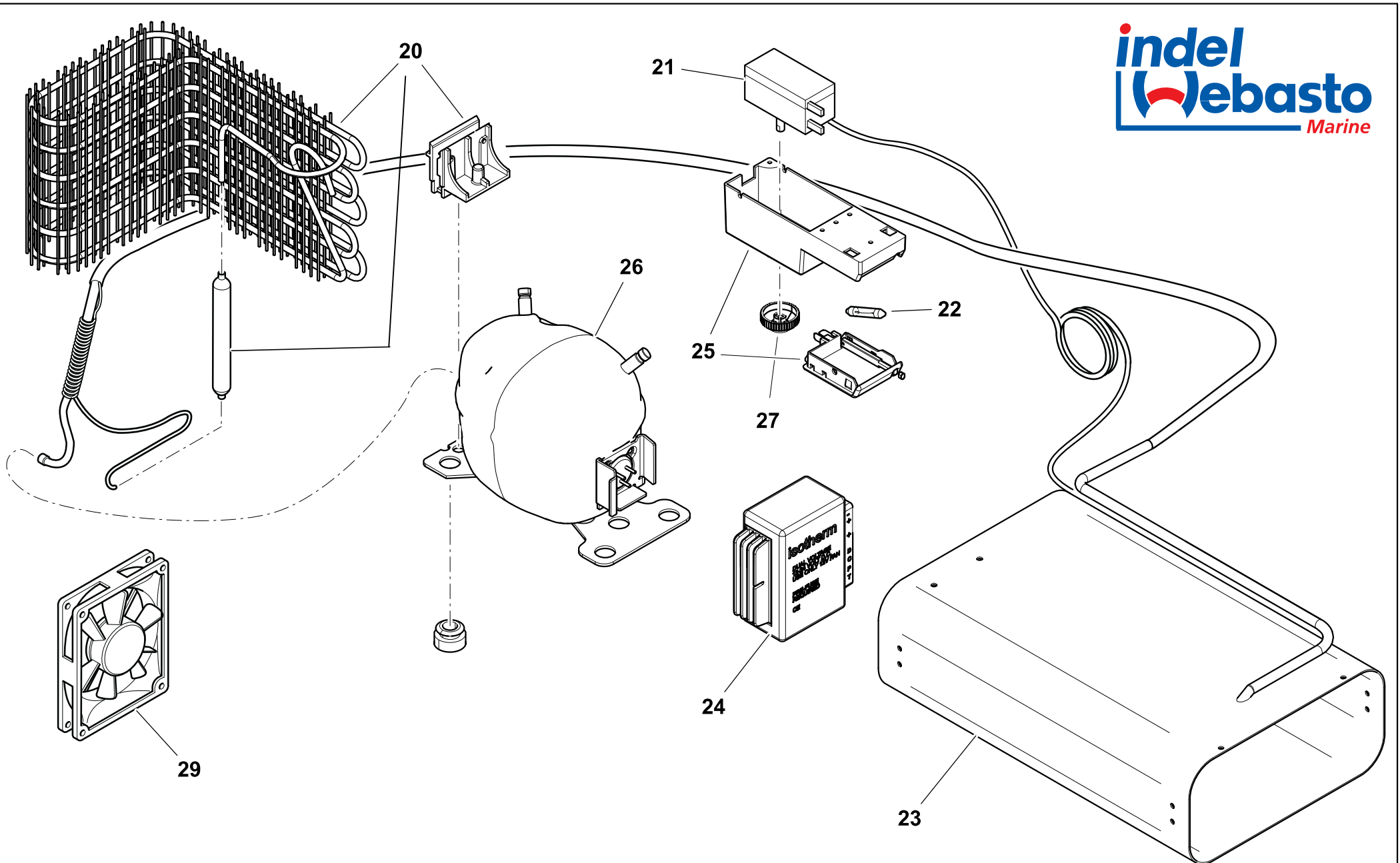


**CR 85 CLEAN TOUCH - CABINET**



**CR 8 5 CLEAN TOUCH - COOLING UNIT**

NUMERO NUMBER	COD. ARTICOLO ITEM CODE	DESCRIZIONE ARTICOLO ITEM DESCRIPTION
1	SDF00086AB	GOMMINO ANTIURTO PER FLANGIA INOX CONFEZIONE 6PZ RUBBER BUMPER FOR INOX FRAME 6PCS
2	SBE00194AB	CERNIERA SUPERIORE CR ELEGANCE UPPER HINGE CR ELEGANCE
3	SGC00302AA	COPERTURA EVAPORATORE PLASTICA BIANCA CR85/CR130 C. PLASTIC COVER FOR EVAPORATOR CR85/CR130 C.
4	SGC00291AA	GRIGLIA PICCOLA SUPERIORE CR85 C. SMALL UPPER SHELF CR85 C.
5	SGC00292AA	SGOCCIOLATOIO EVAPORATORE CR85/CR130 C. DRIP TRAY FOR CR85/CR130 C.
6	SGC00034AA	GRIGLIA INTERNA CR85 SHELF CR85
7	SBE00196AA	STAFFA SOSTEGNO PORTA PLASTICA NERA CR ELEGANCE SUPPORT BRACKET DOOR CR ELEGANCE
8	SGC00071AA	FILONCINO METALLO PER BALCONCINO CR85 METAL RETAINER CR85
9	SGC00293AA	BALCONCINO CONTROPORTA PLASTICA CON FERMI CR85 C. PLASTIC RETAINER WITH SHELTER CR85 C.
10	SGC00450AA	PORTA INOX CLEAN TOUCH COMPLETA DI ACCESSORI PER CR85 COMPLETE INOX CLEAN-TOUCH DOOR FOR CR85
11	SGC00294AA	PORTINA EVAPORATORE CRUISE CR49/CR65/CR85/CR130 C. & ELEGANCE EVAPORATOR DOOR CRUISE CR49/CR65/CR85/CR130 C. EL.
13	SGD00043AA	KIT MANIGLIA BRIGHT SILVER COMPLETA DI MOLLE E PERNI PER CR49/65/85/130 ELEGANCE HANDLE BRIGHT SILVER COMPLETE KIT WITH SPRINGS AND PIVOT CR49/65/85/130 ELEGANCE
15	SBE00195AB	CERNIERA INFERIORE CR ELEGANCE LOWER HINGE CR ELEGANCE
17	SBE00211AA	STAFFA AGGANCIO TOP INOX CR ELEGANCE INOX SUPPORT BRACKET FOR TOP CR ELEGANCE
19	SGB00192AA	FLANGIA 3 LATI FLUSH MOUNTING INOX CR42/CR49 CLEAN TOUCH FRAME 3-SIDE FLUSH MOUNTING INOX CR42/CR49 CLEAN TOUCH
20	SBD00122AA	KIT CONDENSATORE PER CRUISE C. CONDENSATOR KIT FOR CRUISE C.
21	SEA00092DA	TERMOSTATO CRUISE 49/65/85/130 C. THERMOSTAT CRUISE 49/65/85/130 C.
22	SEC00038AA	LAMPADINA LED CR49/65/85/130 ELEGANCE LED LAMP CR49/64/85/130 ELEGANCE
23	SBF00105AA	EVAPORATORE CR85/130 C. EVAPORATOR FOR CR85/130 C.
24	SEG00002DA	CENTRALINA DANFOSS 101N0210 BD35/50F 12/24V ELECTRICAL UNIT DANF. 101N0210 BD35/50F 12/24V
24	SEG00030GA	CENTRALINA DANFOSS B35F/BD50F AC/DC 12/24V-115/230V ELECT. UNIT DANFOSS BD35F/50FAC/DC 12/24V-115/230V
25	SEC00004DA	PLAFONIERA COMPLETA 12/24V C. INTERNAL LIGHT KIT 12-24V C.
26	SBA00002DA	COMPRESSORE BD35F SENZA CENTRALINA DANFOSS COMPRESSOR BD35F 12/24V NO ELECTRICAL UNIT
27	SEA00093AA	MANOPOLA TERMOSTATO CRUISE 49/65/85/130 C. THERMOSTAT KNOB CRUISE 49/65/85/130 C.
28	SGC00022AA	CUBETTIERA CRUISE ICE CUBE CRUISE
29	SBG00005BA	VENTOLA CABLATA 12V LOW SPEED FAN 12V LOW SPEED FOR COMPACT AND CRUISE