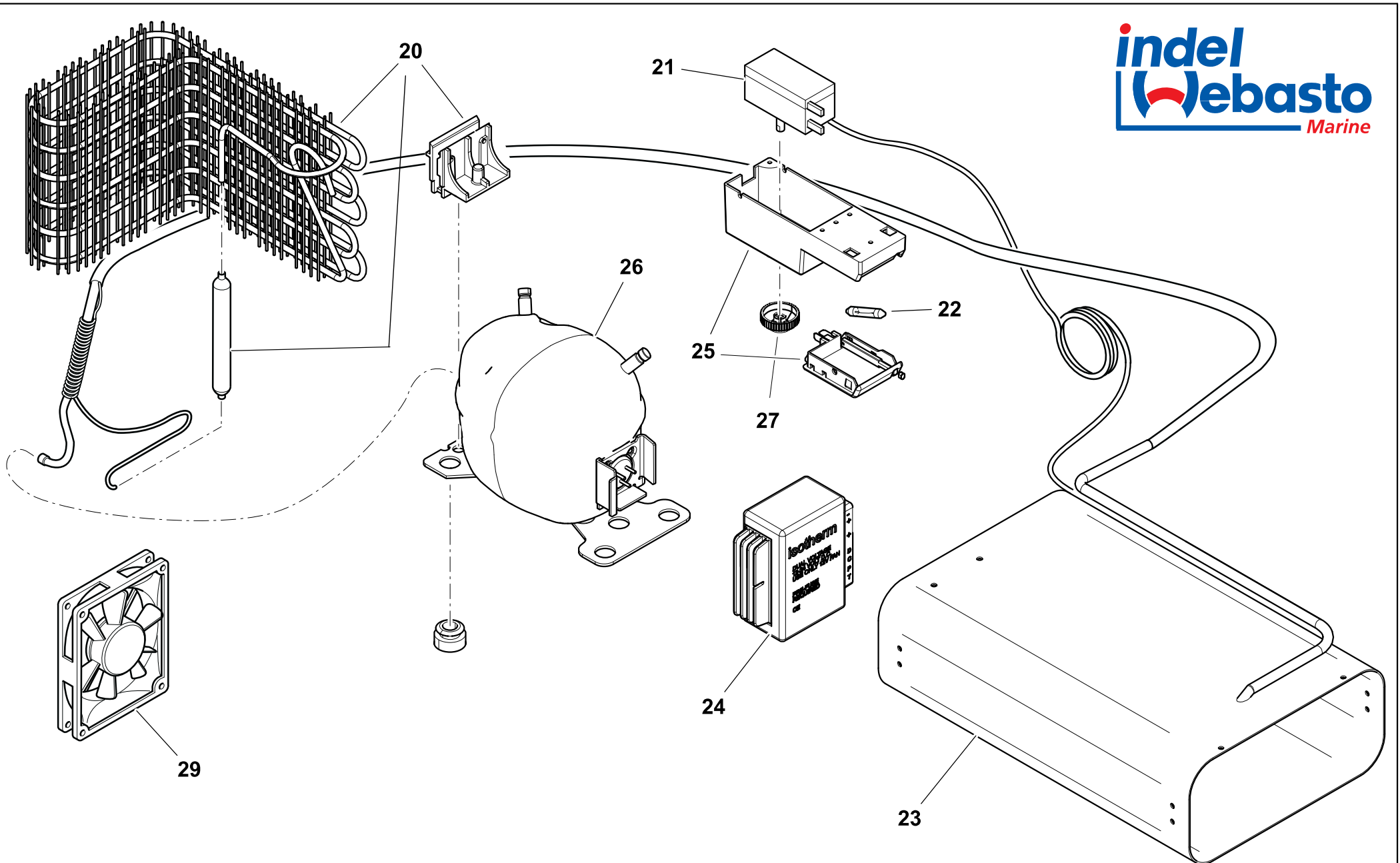


**CR 85 ELEGANCE - CABINET**



**CR 85 ELEGANCE - COOLING UNIT**

NUMERO NUMBER	COD. ARTICOLO ITEM CODE	DESCRIZIONE ARTICOLO ITEM DESCRIPTION
1	SGB00133AA	TOP BRIGHT SILVER CR85 ELEGANCE TOP BRIGHT SILVER CR85 ELEGANCE
2	SBE00194AA	CERNIERA SUPERIORE CR ELEGANCE UPPER HINGE CR ELEGANCE
3	SGC00302AA	COPERTURA EVAPORATORE PLASTICA BIANCA CR85/CR130 C. PLASTIC COVER FOR EVAPORATOR CR85/CR130 C.
4	SGC00291AA	GRIGLIA PICCOLA SUPERIORE CR85 C. SMALL UPPER SHELF CR85 C.
5	SGC00292AA	SGOCCIOLATOIO EVAPORATORE CR85/CR130 C. DRIP TRAY FOR CR85/CR130 C.
6	SGC00034AA	GRIGLIA INTERNA CR85 SHELF CR85
7	SBE00196AA	STAFFA SOSTEGNO PORTA PLASTICA NERA CR ELEGANCE SUPPORT BRACKET DOOR CR ELEGANCE
8	SGC00071AA	FILONCINO METALLO PER BALCONCINO CR85 METAL RETAINER CR85
9	SGC00293AA	BALCONCINO CONTROPORTA PLASTICA CON FERMI CR85 C. PLASTIC RETAINER WITH SHELTER CR85 C.
10	SGC00368AA	PORTA COMPLETA DI ACCESSORI E PANNELLI BRIGHT SILVER CR85 ELEGANCE COMPLETE DOOR CR85 ELEGANCE DOOR PANELS BRIGHT SILVER
11	SGC00294AA	PORTINA EVAPORATORE CRUISE CR49/CR65/CR85/CR130 C. & ELEGANCE EVAPORATOR DOOR CRUISE CR49/CR65/CR85/CR130 C. EL.
12	SGE00017AA	KIT CORNICI FISSAGGIO PANNELLO PORTA CR85 ELEGANCE KIT FRAME DOOR FOR FIXING PANEL CR85 ELEGANCE
13	SGD00043AA	KIT MANIGLIA BRIGHT SILVER COMPLETA DI MOLLE E PERNI PER CR49/65/85/130 ELEGANCE HANDLE BRIGHT SILVER COMPLETE KIT WITH SPRINGS AND PIVOT CR49/65/85/130 ELEGANCE
14	SGA00160AA	KIT PANNELLO PORTA CR85 ELEGANCE SILVER 595*459,5mm DOOR KIT PANEL CR85 ELEGANCE SILVER
15	SBE00195AA	CERNIERA INFERIORE CR ELEGANCE LOWER HINGE CR ELEGANCE
19	SGB00146AA	FLANGIA 3 LATI 3 PEZZI BRIGHT SILVER CR85 ELEGANCE 3-SIDE FRAME 3-PARTS BRIGHT SILVER CR85 ELEGANCE
20	SBD00122AA	KIT CONDENSATORE PER CRUISE C. CONDENSATOR KIT FOR CRUISE C.
21	SEA00092DA	TERMOSTATO CRUISE 49/65/85/130 C. THERMOSTAT CRUISE 49/65/85/130 C.
22	SEC00030AA	LAMPADINA LED CR49/65/85/130 ELEGANCE LED LAMP CR49/64/85/130 ELEGANCE
23	SBF00105AA	EVAPORATORE CR85/130 C. EVAPORATOR FOR CR85/130 C.
24	SEG00002DA	CENTRALINA DANFOSS 101N0210 BD35/50F 12/24V ELECTRICAL UNIT DANF. 101N0210 BD35/50F 12/24V
24	SEG00030GA	CENTRALINA DANFOSS B35F/BD50F AC/DC 12/24V-115/230V ELECT. UNIT DANFOSS BD35F/50FAC/DC 12/24V-115/230V
25	SEC00004DA	PLAFONIERA COMPLETA 12/24V C. INTERNAL LIGHT KIT 12-24V C.
26	SBA00002DA	COMPRESSORE BD35F SENZA CENTRALINA DANFOSS COMPRESSOR BD35F 12/24V NO ELECTRICAL UNIT
27	SEA00093AA	MANOPOLA TERMOSTATO CRUISE 49/65/85/130 C. THERMOSTAT KNOB CRUISE 49/65/85/130 C.
28	SGC00022AA	CUBETTIERA CRUISE ICE CUBE CRUISE
29	SBG00005BA	VENTOLA CABLATA 12V LOW SPEED FAN 12V LOW SPEED FOR COMPACT AND CRUISE
30	SGF00026AA	INSERTO PLASTICA POSIZIONE VENTILAZIONE/CHIUSURA CR ELEGANCE PLASTIC INSERT VENTILATION/CLOSING POSITION CR ELEGANCE