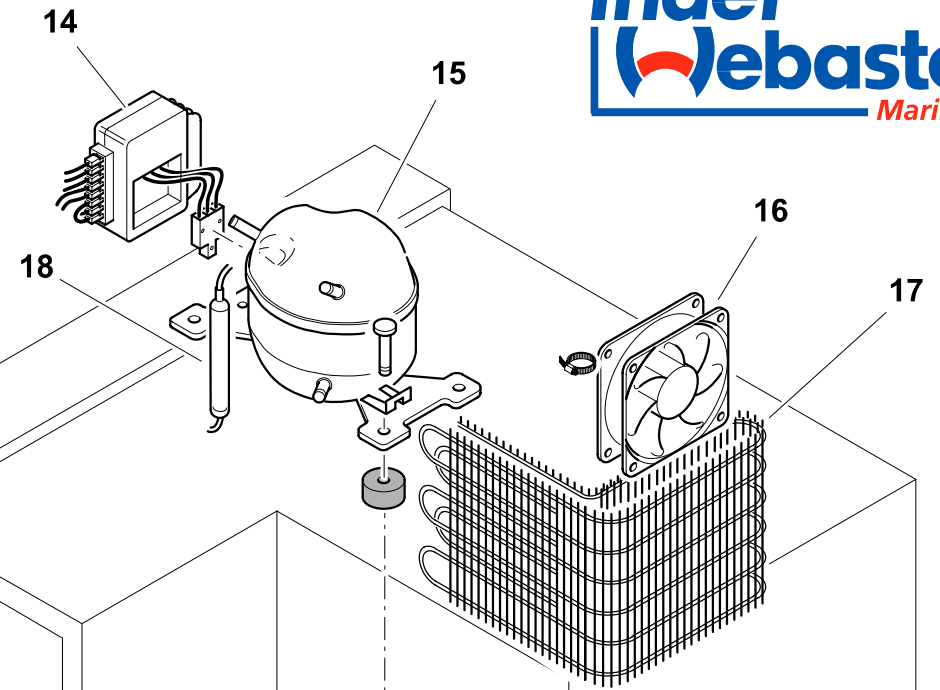
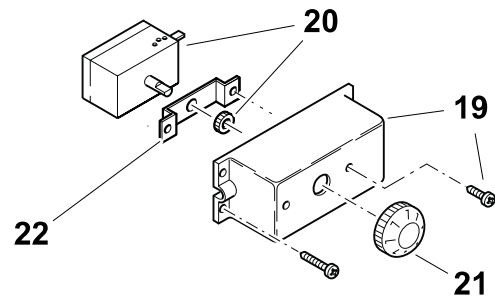
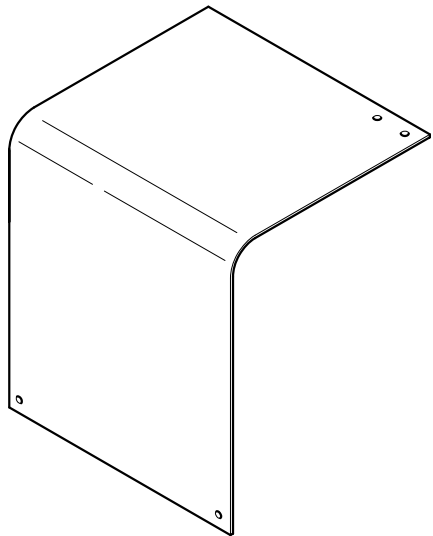


CR 90 FREEZER - CABINET



23



NUMERO NUMBER	CODICE ARTICOLO ITEM CODE	DESCRIZIONE ARTICOLO ITEM DESCRIPTION
1		
2	SGB00044AA	SUPPORTO PERNO PORTA CR130 CON NUOVO INCERNIERAMENTO TOP FOR CR130
3	SBE00068AA	CERNIERA INOX CR65/90/130/195/200 E TUTTI CR VER. INOX HINGE INOX FOR CR65/90/130/195/200 AND ALL VER. INOX TYPE REF. F188
4	SGC00086AA	GRIGLIA INT. SUP. CR90 FREEZER INTERNAL SHELF SUP. CR90 FREEZER
5	SGC00087AA	GRIGLIA INT. INF. CR90 FREEZER INTERNAL SHELF INF. CR90 FREEZER
6	SGC00029AA	PORTINA EVAPORATORE CR80/100/120/90FR 395x147mm EVAPORATOR DOOR CR80/100/120/90FR
7	SGC00099AA	PORTA COMPLETA CR90 FREEZER DOOR FOR CR90 FREEZER
8	SGC00440AA	VASCA RACCOGLI CONDENSA CR90F DRIP TRAY FOR CR90F
9	SGC00063AA	PROFILO FISS. PANNELLO CR120/130 PROFILE FOR FIXING PANEL CR120/130
10	SGD00008AA	KIT MANIGLIA CRUISE F005 DOOR KIT HANDLE CRUISE
11	SGA00059AA	PANNELLO PORTA CR130 MASONITE GRIGIO 504x716x2,2mm DOOR PANEL CR130 MASONITE GREY 504x716X2.2mm
12		
13		
14	SEG00002DA	CENTRALINA DANFOSS BD35/50F 12/24V ELECTRICAL UNIT DANF. 101N0210 BD35/50F 12/24V
14	SEG00030GA	CENTRALINA DANFOSS BD35/50F AC/DC 12/24V DC 110/220V AC ELECT. UNIT DANFOSS BD35F/50FAC/DC 12/24V-115/230V
15	SBA00002DA	COMPRESSORE DANFOSS BD35F DANFOSS COMPRESSOR BD35F 12/24V NO ELECTRICAL UNIT
16	SBD00028AA	CONDENSATORE A FILO AIR CONDENSER PIN TYPE WITH BRACKET
17	SBG00005BA	VENTOLA CABLATA 12V LOW SPEED FAN 12V LOW SPEED FOR COMPACT AND CRUISE
18	SBD00073AA	FILTRO 10g PER CR FILTER 10Gr FOR R134a B041 TUBE 6+2mm (CRUISE/DANFOSS)
19		
20		
21		
22		
23	SBF00085AA	EVAPORATORE CR90 FREEZER EVAPORATOR CR90 FREEZER