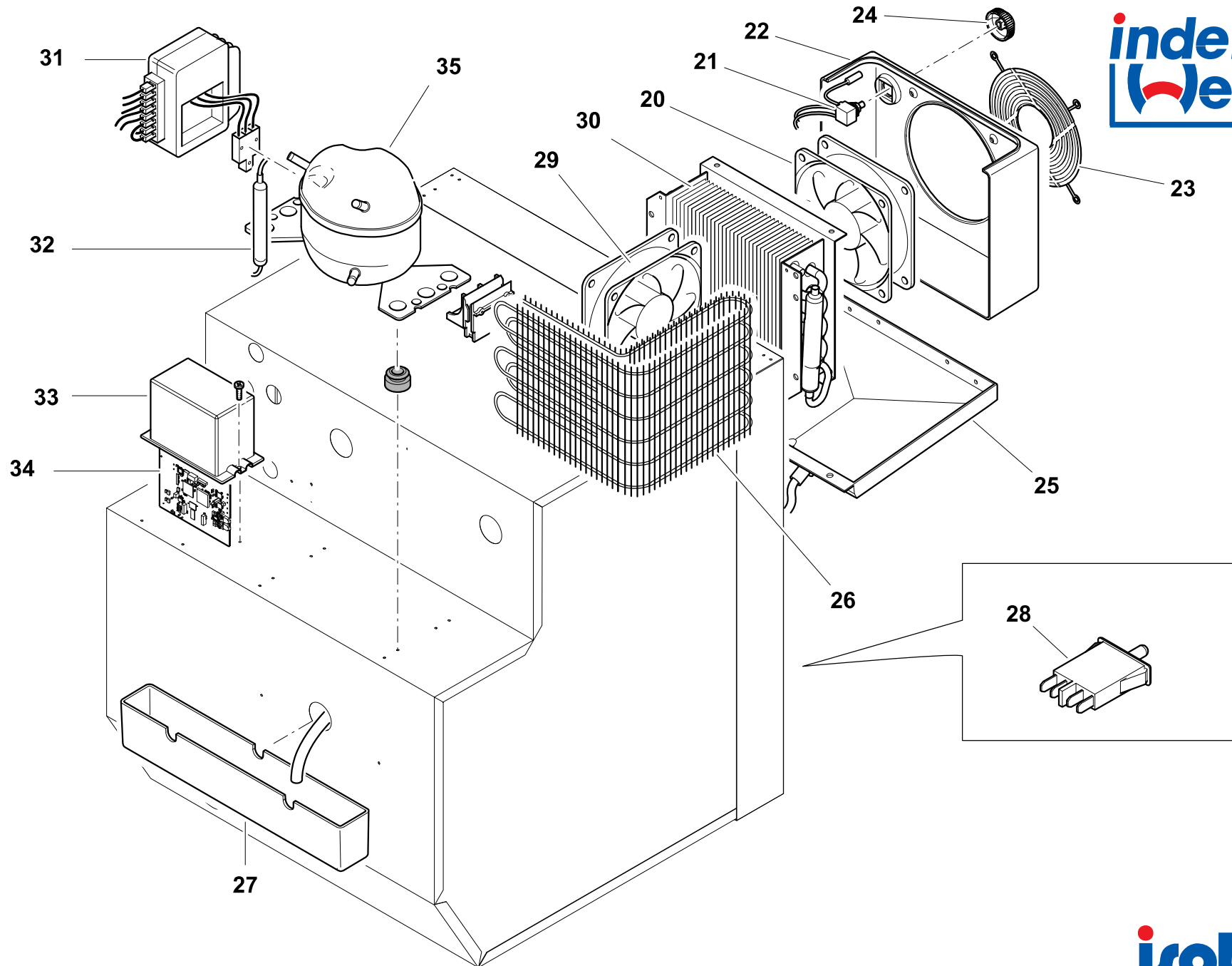


DR 65 FROST FREE INOX - CABINET



DR 65 FROST FREE INOX - COOLING UNIT

RICAMBI DR65 INOX FROST FREE SPARE PARTS DR 65 INOX FROST FREE

NUMERO NUMBER	CODICE ARTICOLO ITEM CODE	DESCRIZIONE ARTICOLO ITEM DESCRIPTION
2	SGC00317AA	PLACCA COPERTURA SCHEDA ELETTRONICA 5 LED BLU PER DR65/DR55/DR49 COVER FOR ELECTRONIC CARD 5 LED BLUE FOR DR65/DR55/DR49
3	SGB00053AA	FLANGIA FM 3-LATI CR65/DR65/DR55F INOX PER FRIGO INOX 3-SIDE FLUSH MOUNTING FRAME FOR CR65/DR65/DR55F INOX
3	SGB00114AA	FLANGIA FM DR65/DR55F INOX CON FERMO PER FRIGO PREDISPOSTO VETRO 3-SIDE FLUSH MOUNTING FRAME WITH LOCK FOR DR65/55F GLASS PREDISPOSED
3	SGB00123AA	FLANGIA FM 3- LATI INOX PER DR65/DR55 PREDISPOSTO PANNELLO CLIENTE 3-SIDE FLUSH MOUNTING FRAME INOX FOR DR65/DR55 CUSTOMER PANEL PREDISPOSED
4	SGC00318AA	CESTELLO METALLO PER CASSETTO PICCOLO DR65 FF METAL BASKET FOR SMAL DRAWER DR65 FF
5	SGC00319AA	CASSETTO PICCOLO SUPERIORE ALLUMINIO DR65 FF ALUMINIUM SMAL UPPER DRAWER DR65 FF
6	SGD00038AA	MANIGLIA PER PANNELLO VETRO DR49/DR55/DR65 HANDLE FOR GLASS PANEL DR49/DR55/DR65
7	SGD00036AA	KIT GUIDE SCORRIMENTO PER CASSETTO INTERNO PICCOLO DR49/DR65/DR55F SLIDE DRAWER KIT FOR SMALL INTERNAL DRAWER DR49/DR65/DR55F
8	SGD00012AA	MANIGLIA INOX "CRUISE INOX" INOX HANDLE/LOCKER FOR "CRUISE INOX"
9	SGC00211AA	PORTA COMPLETA DR65 INOX COMPLETE DOOR DR65 INOX
10	SGD00027AA	KIT GUIDE SCORRIMENTO PER CASSETTO DR49/DR65/DR55F/DR160/DR190 SLIDE DRAWER KIT FOR DR49/DR65/DR55F/DR160/DR190
11	SGC00320AA	CESTELLO METALLO PER CASSETTO GRANDE DR65 METAL BASKET FOR BIG DRAWER DR65
12	SGC00321AA	CESTELLO PLASTICA PER CASSETTO GRANDE DR65 PLASTIC BASKET FOR BIG DRAWER DR65
14	SEG00033DA	SCHEDA ELETTRONICA 5 LED BLU PER DR65/DR55/DR49 ELECTRONIC CARD 5 LED BLUE FOR DR65/DR55/DR49
16	SGC00281AA	PORTA DR65 INOX COMPLETA DI CASSETTO PREDISPOSTA VETRO COMPLETE DOOR DR65 INOX GLASS PREDISPOSED
17	SGA00102AA	PANNELLO PORTA VETRO DR55/65 BIANCO PIU STAFFA INFERIORE GLASS DOOR PANEL DR55/65 WHITE WITH LOWER STIRRUP
17	SGA00103AA	PANNELLO PORTA VETRO DR55/65 NERO PIU STAFFA INFERIORE GLASS DOOR PANEL DR55/65 BLACK WITH LOWER STIRRUP
17	SGA00104AA	PANNELLO PORTA VETRO DR55/DR65 GRIGIO PIU STAFFA INFERIORE GLASS DOOR PANEL DR55/DR65 GRIGIO WITH LOWER STIRRUP
17	SGA00105AA	PANNELLO PORTA VETRO DR55/DR65 BLU PIU STAFFA INFERIORE GLASS DOOR PANEL DR55/DR65 BLU WITH LOWER STIRRUP
18	SGC00323AA	PORTA DR65 INOX COMPLETA DI CASSETTO PREDISPOSTA PANNELLO CLIENTE COMPLETE DOOR DR65 INOX CUSTOMER PANEL PREDISPOSED
19	SGC00152AA	PORTABOTTIGLIE PIEGHEVOLE BOTTLE RACK COLLAPSIBLE
20	SBG00005BA	VENTOLA CABLATA 12V LOW SPEED TP39236 FAN 12V LOW SPEED FOR COMPACT AND CRUISE TP39236
21	SEA00106DA	TERMOSTATO ELETTRONICO DR65 POTENZIOMETRO, CAVO E RESISTENZA ELECTRONIC THERMOSTAT DR65
22	SBE00184AA	COPERTURA PLASTICA/METALLO PER EVAPORATORE FROST FREE DR65 FF PLASTIC/METAL COVER FOR FROST FREE EVAPORATOR DR65 FF
23	SBE00185AA	GRIGLIA METALLO TONDA VENTILAZIONE EVAP. FROST FREE DR65/DR55 FF METAL VENTILATION GRID FOR EVAP. FROST FREE DR65/DR55 FF
24	SEA00093AA	MANOPOLA TERMOSTATO CRUISE 49/65/85/130 DR49/55/65 C. THERMOSTAT KNOB CRUISE 49/65/85/130 DR49/55/65C.
25	SGC00324AA	SGOCCIOLATOIO PLASTICA PER EVAP. FROST FREE DR65 FF PLASTIC DRIP TRAY DOR EVAP. FROST FREE DR65 FF
26	SBD00028AA	CONDENSATORE A FILO PIEGATO CON STAFFA AIR CONDENSER PIN TYPE WITH BRACKET
27	SGC00325AA	SGOCCIOLATOIO POSTERIORE PLASTICA BIANCA DR55/DR65 FF WHITE PLASTIC REAR DRIP TRAY DR55/DR65 FF
28	SEC00029AA	INTERRUTTORE A PULSANTE PER CASSETTO DR65FF/DR55FF SWICH FOR DRAWER DR65FF/DR55FF
29	SBG00005BA	VENTOLA CABLATA 12V LOW SPEED TP39236 FAN 12V LOW SPEED FOR COMPACT AND CRUISE TP39236
30	SBF00100AA	EVAPORATORE LAMELLARE VENTILATO DR65 FF LAMELLAR VENTILATED EVAPORATOR DR65 FF
31	SEG00002DA	CENTRALINA DANFOSS 101N0210 BD35/50F 12/24V TP39310 ELECTRICAL UNIT DANF. 101N0210 BD35/50F 12/24V TP39310
31	SEG00030GA	CENTRALINA DANFOSS B35F/BD50F AC/DC 12/24V-115/230V ELECT. UNIT DANFOSS BD35F/50FAC/DC 12/24V-115/230V
32	SBD00073AA	FILTRO 10Gr PER R134a B041 TUBO 6+5mm D. 16 L. 119 (CRUISE/DANFOSS) FILTER 10Gr FOR R134a B041 TUBE 6+5mm (CRUISE/DANFOSS)
33	SEG00039AA	SCATOLA PLASTICA NERA PER SCHEDA ELETTRONICA FROST FREE DR55/DR65 FF BLACK PLASTIC BOX FOR ELECTRONIC CARD FROST FREE DR55/DR65 FF
34	SEG00036DA	SCHEDA ELETTRONICA FROST-FREE DR65 FF ELECTRONIC CARD FROST-FREE DR65 FF
35	SBA00002DA	COMPRESSORE BD35F SENZA CENTRALINA DANFOSS COMPRESSOR BD35F 12/24V NO ELECTRICAL UNIT TP39301